

Indoor Clocks

double face



Indoor
analog
double face

Type series

282



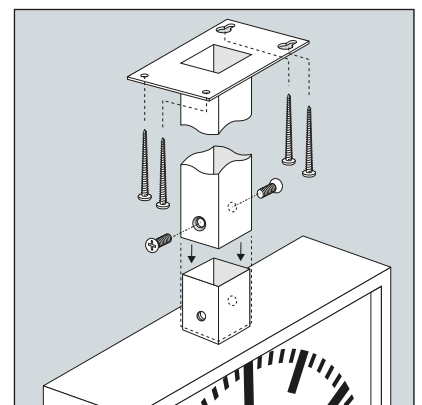
71.282.322 shown

Double face clocks for all places where time must be readable from either side. Robust metal, fit everywhere!



71.282.423 -30

Clock case with lugs (option) for suspension by metal ropes or chains



Detachable ceiling mounting in any length desired (e.g. for suspension beneath a false ceiling), available as an option (Suffix -29)

Case

- cir. 285x285 mm
- cir. 335x335 mm
- cir. 435x435 mm

very sturdy metal case, enamelled white (RAL 9016). Optionally, at a surcharge, the case may be enamelled in metallic silver grey (RAL 9006), in dark gun metal (DB 703) or custom enamelled, as listed below.

As an option, a stainless steel case (1.4301 X5CrNi 18-10, German trade name V2A) is available in a matted finish.

Protection grade IP 40 (EN 60 529).

Mounting

Choice of very sturdy wall or ceiling mounting brackets, standard length cir. 150 mm. For custom lengths or custom mounting options see table below.

Front glasses

Flat, shock-resistant Plexiglas® XT for outstandingly clear visibility.

Faces

High distinction white metal with black DIN bar markings for easy, doubt-free reading even over longer distances. Face printed according to DIN 41 091.

Hands

Pointed black bar-type hour and minute hands, red second hands.

No second hands on DCF77 and AirPort24 radio controlled clocks and on minute pulse 12...60 V controlled slave clocks.

Double face clocks

Double face clocks come completely wired and pre-assembled. Just mount them and plug in – that's it!

Stainless steel V2A (option)

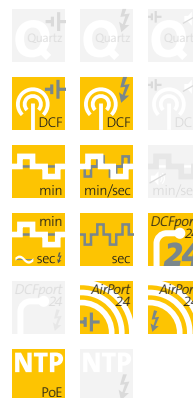
Due to its components stainless steel V2A is an alloy almost completely impervious to detergents and disinfectants and is therefore excellently suited for the use in the food and pharmaceutical industries, in kitchens, laboratories and other clean rooms. And it looks good into the bargain, as well!



Indoor analog double face

Type series

282



DCF77 radio controlled clocks

DCF77 radio controlled clocks of this type series will be supplied including a rotatable DCF77 aerial (IP 68). Thus, optimum reception quality can be achieved regardless of the final placement of the clock itself. However, DCF77 radio controlled clocks will only function correctly within a radius of approx. 1,500 km around Mainflingen (50 km east of Frankfurt/M.).

PEWETA DCFport24

PEWETA DCFport24 slave clocks require a PEWETA master clock (see from page 178 on).

PEWETA AirPort24

PEWETA AirPort24 slave clocks require an AirPort24 transmitter or repeater respectively (see page 183).

NTP

NTP system clocks require a PEWETA master clock (see from page 178 on) or an NTP time server (see page 185).

▼ Clock type	Face diameter ▶ Mounting ▼	250x250 mm		300x300 mm		400x400 mm	
		Item No.	€ each	Item No.	€ each	Item No.	€ each
DCF77 radio controlled clock, battery operated 1.5 V ¹⁾²⁾	wall	51.282.222	675.–	51.282.322	745.–	51.282.422	825.–
	ceiling	51.282.223	675.–	51.282.323	745.–	51.282.423	825.–
DCF77 radio controlled clock, mains operated 230 VAC ²⁾	wall	52.282.222	715.–	52.282.322	785.–	52.282.422	865.–
	ceiling	52.282.223	715.–	52.282.323	785.–	52.282.423	865.–
Slave clock, minute pulse 12...60 V	wall	71.282.222	419.–	71.282.322	459.–	71.282.422	539.–
	ceiling	71.282.223	419.–	71.282.323	459.–	71.282.423	539.–
Slave clock, minute/second pulse 12/24 V	wall	72.282.222	909.–	72.282.322	949.–	72.282.422	1,029.–
	ceiling	72.282.223	909.–	72.282.323	949.–	72.282.423	1,029.–
Slave clock, minute pulse 12/24 V, synchronous second hand 230 VAC/50 Hz	wall	74.282.222	1,239.–	74.282.322	1,279.–	74.282.422	1,359.–
	ceiling	74.282.223	1,239.–	74.282.323	1,279.–	74.282.423	1,359.–
Slave clock, second pulse 12/24 V, with creeping minute hand	wall	75.282.222	1,189.–	75.282.322	1,229.–	75.282.422	1,309.–
	ceiling	75.282.223	1,189.–	75.282.323	1,229.–	75.282.423	1,309.–
Telegram slave clock, DCFport24	wall	81.282.222	475.–	81.282.322	515.–	81.282.422	595.–
	ceiling	81.282.223	475.–	81.282.323	515.–	81.282.423	595.–
RC telegram slave clock, AirPort24, battery operated 1.5 V ¹⁾	wall	84.282.222	685.–	84.282.322	725.–	84.282.422	805.–
	ceiling	84.282.223	685.–	84.282.323	725.–	84.282.423	805.–
RC telegram slave clock, AirPort24, mains operated 230 VAC	wall	85.282.222	725.–	85.282.322	765.–	85.282.422	845.–
	ceiling	85.282.223	725.–	85.282.323	765.–	85.282.423	845.–
NTP system clock (NTP client), synchronisation by LAN, PoE ³⁾	wall	91.282.222	645.–	91.282.322	685.–	91.282.422	765.–
	ceiling	91.282.223	645.–	91.282.323	685.–	91.282.423	765.–

Options	250x250mm Suffix	Surcharge € each	300x300mm Suffix	Surcharge € each	400x400mm Suffix	Surcharge € each
Case enamelled in metallic silver grey RAL 9006	-05	39.–	-05	45.–	-05	49.–
Case enamelled in metallic dark gun metal DB 703	-06	39.–	-06	45.–	-06	49.–
Case custom enamelled	-10	on request	-10	on request	-10	on request
Case stainless steel V2A, matted finish	-20	on request	-20	on request	-20	on request
Detachable ceiling mounting (length acc. to customer's choice)	-29	on request	-29	on request	-29	on request
Case with lugs for suspension by ropes or chains	-30	on request	-30	on request	-30	on request
Metal cover for wall or ceiling mounting brackets	-37	39.–	-37	39.–	-37	39.–
Stainless steel cover V2A for wall or ceiling mounting brackets	-38	95.–	-38	95.–	-38	95.–

Case colour	Suffix
■ metallic silver grey RAL 9006	-05
■ dark gun metal DB 703	-06
■ custom enamelled	-10
■ stainless steel V2A	-20

¹⁾ Alkaline batteries are included in delivery shipment (medium lifespan: cir. 4 years).

²⁾ A rotatable DCF77 receiving aerial is included in delivery shipment.

³⁾ NTP system clocks of "PoE" type require a PoE (Power over Ethernet) power supply. Appropriate hardware has to be supplied by customer.