

Indoor Clocks

double face



Indoor
analog
double face

Type series
282



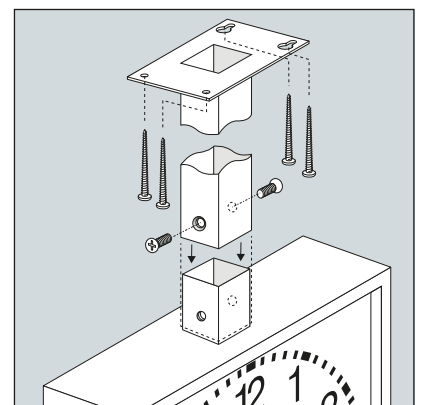
81.282.312 shown

Double face clocks for all places where time must be readable from either side. Robust metal, fit everywhere!



Suffix -37

Metal cover for wall or ceiling mounting brackets available as an option



Detachable ceiling mounting in any length desired (e.g. for suspension beneath a false ceiling), available as an option (Suffix -29)

Case

- cir. 285x285 mm
- cir. 335x335 mm
- cir. 435x435 mm

very sturdy metal case, enamelled white (RAL 9016). Optionally, at a surcharge, the case may be enamelled in metallic silver grey (RAL 9006), in dark gun metal (DB 703) or custom enamelled, as listed below.

As an option, a stainless steel case (1.4301 X5CrNi 18-10, German trade name V2A) is available in a matted finish.

Protection grade IP 40 (EN 60 529).

Mounting

Choice of very sturdy wall or ceiling mounting brackets, standard length cir. 150 mm. For custom lengths or custom mounting options see table below.

Front glasses

Flat, shock-resistant Plexiglas® XT for outstandingly clear visibility.

Faces

High distinction white metal with black Arabic numerals for easy, doubt-free reading even over longer distances. Faces printed according to DIN 41 091.

Hands

Black bar-type hour and minute hands, red second hands.

No second hands on DCF77 and AirPort24 radio controlled clocks and on minute pulse 12...60 V controlled slave clocks.

Double face clocks

Double face clocks come completely wired and pre-assembled. Just mount them and plug in – that's it!

Stainless steel V2A (option)

Due to its components stainless steel V2A is an alloy almost completely impervious to detergents and disinfectants and is therefore excellently suited for the use in the food and pharmaceutical industries, in kitchens, laboratories and other clean rooms. And it looks good into the bargain, as well!



Indoor analog double face

Type series

282



DCF77 radio controlled clocks

DCF77 radio controlled clocks of this type series will be supplied including a rotatable DCF77 aerial (IP 68). Thus, optimum reception quality can be achieved regardless of the final placement of the clock itself. However, DCF77 radio controlled clocks will only function correctly within a radius of approx. 1,500 km around Mainflingen (50 km east of Frankfurt/M.).

PEWETA DCFport24

PEWETA DCFport24 slave clocks require a PEWETA master clock (see from page 178 on).

PEWETA AirPort24

PEWETA AirPort24 slave clocks require an AirPort24 transmitter or repeater respectively (see page 183).

NTP

NTP system clocks require a PEWETA master clock (see from page 178 on) or an NTP time server (see page 185).

▼ Clock type	Face diameter ▶ Mounting ▼	250x250 mm		300x300 mm		400x400 mm	
		Item No.	€ each	Item No.	€ each	Item No.	€ each
DCF77 radio controlled clock, battery operated 1.5 V ^{1) 2)}	wall	51.282.212	675.–	51.282.312	745.–	51.282.412	825.–
	ceiling	51.282.213	675.–	51.282.313	745.–	51.282.413	825.–
DCF77 radio controlled clock, mains operated 230 VAC ²⁾	wall	52.282.212	715.–	52.282.312	785.–	52.282.412	865.–
	ceiling	52.282.213	715.–	52.282.313	785.–	52.282.413	865.–
Slave clock, minute pulse 12...60 V	wall	71.282.212	419.–	71.282.312	459.–	71.282.412	539.–
	ceiling	71.282.213	419.–	71.282.313	459.–	71.282.413	539.–
Slave clock, minute/second pulse 12/24 V	wall	72.282.212	909.–	72.282.312	949.–	72.282.412	1,029.–
	ceiling	72.282.213	909.–	72.282.313	949.–	72.282.413	1,029.–
Slave clock, minute pulse 12/24 V, synchronous second hand 230 VAC/50 Hz	wall	74.282.212	1,239.–	74.282.312	1,279.–	74.282.412	1,359.–
	ceiling	74.282.213	1,239.–	74.282.313	1,279.–	74.282.413	1,359.–
Slave clock, second pulse 12/24 V, with creeping minute hand	wall	75.282.212	1,189.–	75.282.312	1,229.–	75.282.412	1,309.–
	ceiling	75.282.213	1,189.–	75.282.313	1,229.–	75.282.413	1,309.–
Telegram slave clock, DCFport24	wall	81.282.212	475.–	81.282.312	515.–	81.282.412	595.–
	ceiling	81.282.213	475.–	81.282.313	515.–	81.282.413	595.–
RC telegram slave clock, AirPort24, battery operated 1.5 V ¹⁾	wall	84.282.212	685.–	84.282.312	725.–	84.282.412	805.–
	ceiling	84.282.213	685.–	84.282.313	725.–	84.282.413	805.–
RC telegram slave clock, AirPort24, mains operated 230 VAC	wall	85.282.212	725.–	85.282.312	765.–	85.282.412	845.–
	ceiling	85.282.213	725.–	85.282.313	765.–	85.282.413	845.–
NTP system clock (NTP client), synchronisation by LAN, PoE ³⁾	wall	91.282.212	645.–	91.282.312	685.–	91.282.412	765.–
	ceiling	91.282.213	645.–	91.282.313	685.–	91.282.413	765.–

Options	250x250mm Suffix	Surcharge € each	300x300mm Suffix	Surcharge € each	400x400mm Suffix	Surcharge € each
Case enamelled in metallic silver grey RAL 9006	-05	39.–	-05	45.–	-05	49.–
Case enamelled in metallic dark gun metal DB 703	-06	39.–	-06	45.–	-06	49.–
Case custom enamelled	-10	on request	-10	on request	-10	on request
Case stainless steel V2A, matted finish	-20	on request	-20	on request	-20	on request
Detachable ceiling mounting (length acc. to customer's choice)	-29	on request	-29	on request	-29	on request
Case with lugs for suspension by ropes or chains	-30	on request	-30	on request	-30	on request
Metal cover for wall or ceiling mounting brackets	-37	39.–	-37	39.–	-37	39.–
Stainless steel cover V2A for wall or ceiling mounting brackets	-38	95.–	-38	95.–	-38	95.–

Case colour	Suffix
■ metallic silver grey RAL 9006	-05
■ dark gun metal DB 703	-06
■ custom enamelled	-10
■ stainless steel V2A	-20

¹⁾ Alkaline batteries are included in delivery shipment (medium lifespan: cir. 4 years).

²⁾ A rotatable DCF77 receiving aerial is included in delivery shipment.

³⁾ NTP system clocks of "PoE" type require a PoE (Power over Ethernet) power supply. Appropriate hardware has to be supplied by customer.